

# ↗ DOMETIC

# REFRIGERATION

# 8 SERIES



**RM8xxx, RMS8xxx, RML8xxx,  
RMSL8xxx**

**EN**

**Absorber refrigerator**  
Installation Manual

### 4.6 Securing the refrigerator

In the sidewalls of the refrigerator, there are four plastic sleeves for securing the refrigerator. The sidewalls or strips attached for securing the refrigerator must be prepared to hold the screws firmly in place even when under increased load (while the vehicle is moving). Fastening screws and caps are supplied with the refrigerator.

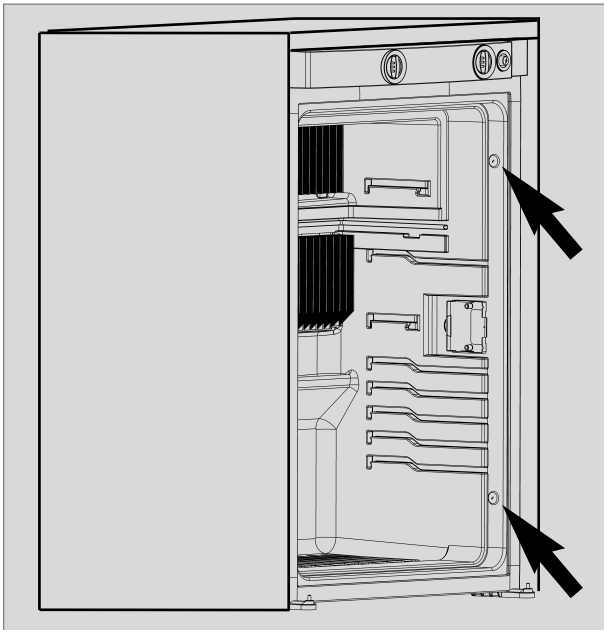


Fig. 34

**CAUTION!**  
 Always insert screws through the sleeves provided as otherwise components laid in foam, such as cables etc., could be damaged.

After the refrigerator is put in its final place, secure the screws into the wall of the recess. The screws must penetrate the casing of the refrigerator.

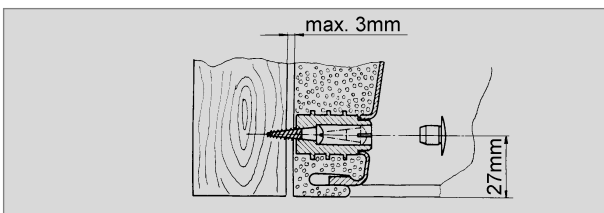


Fig. 35

### 4.7 Inserting the decor panel

#### Model RM 8xxx, RMS 8xxx

- Remove the lateral ledge (1) the door (ledge is attached, not screwed).
- Shift decor panel (2) away from the door and insert the new decor panel. Re-attach ledge (1) .

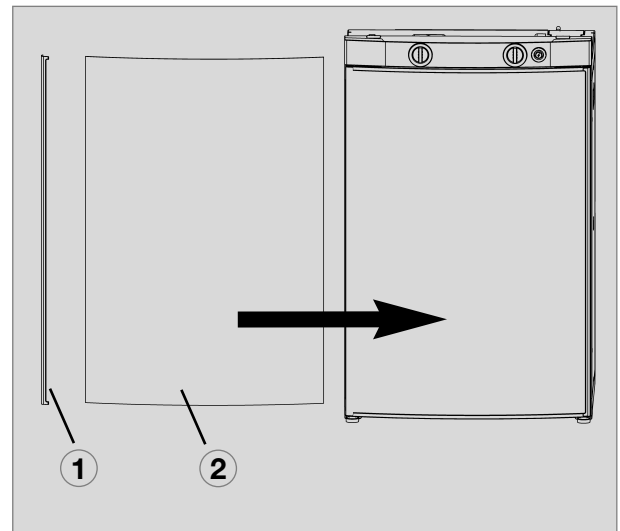


Fig. 36

#### Decor panel dimensions :

<b>Casing width</b>	486 mm	
<b>Height</b>	<b>Width</b>	<b>Thickness</b>
743 +/- 0.5 mm	472 +/- 0.5 mm	max. 2.2 mm

<b>Casing width</b>	523 mm	
<b>Height</b>	<b>Width</b>	<b>Thickness</b>
743 +/- 0.5 mm	510,5 +/- 1 mm	max. 2.2 mm

**Model RML 8xxx**

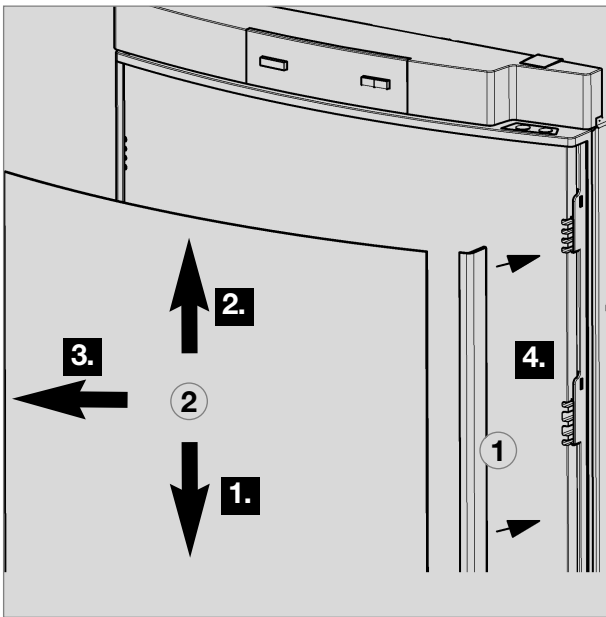


Fig. 37

**CAUTION!**

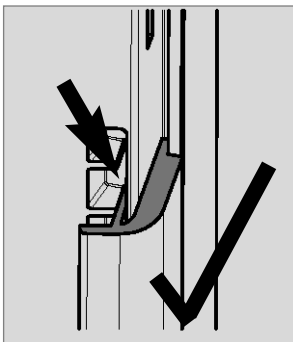


Fig. 38

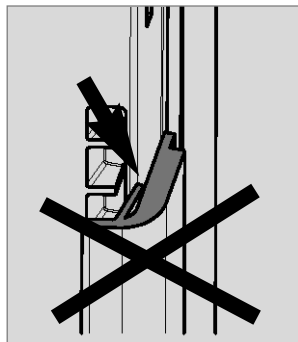


Fig. 39

**Decor panel dimensions :**

<b>Casing width</b>	523 mm	
<b>Height</b>	<b>Width</b>	<b>Thickness</b>
1169,5 +0/-1 mm	507,5 +0/-1 mm	max. 1.7 mm

**Model RML 8xxx, frameless decor panel**

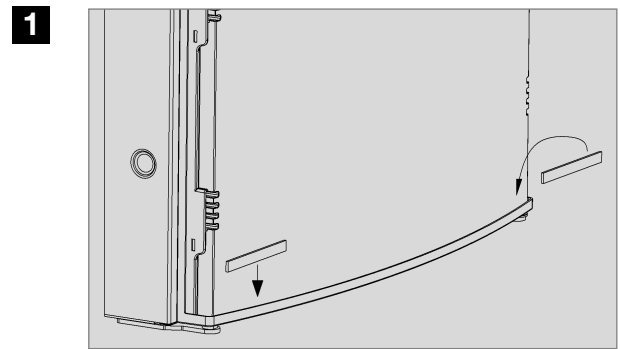


Fig. 40

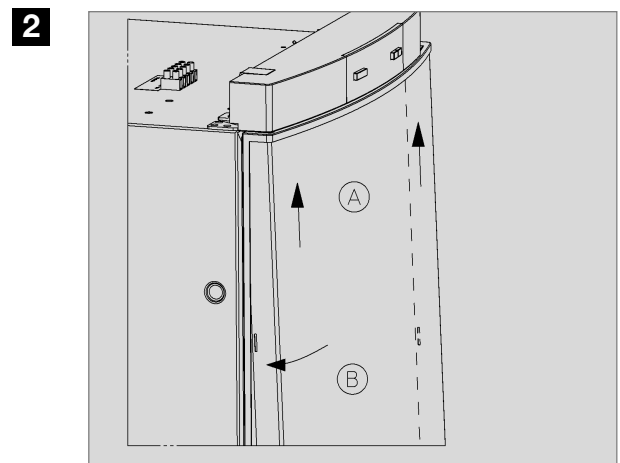


Fig. 41

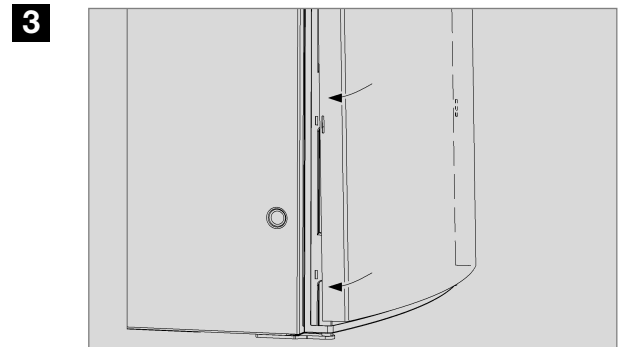


Fig. 42

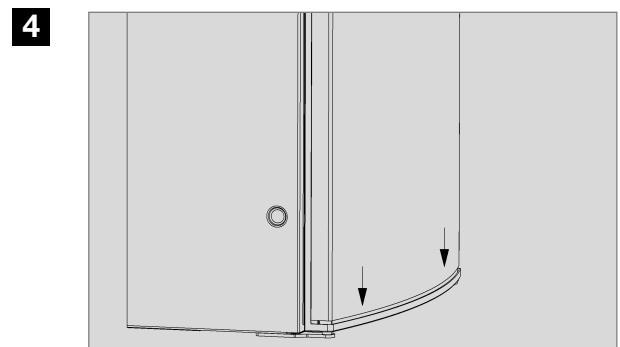


Fig. 43