



**GOOD 2 GO™**  
**GOOSENECK ADAPTER**



## **FREE RIDE<sup>®</sup>** **FIFTH WHEEL HITCH**

- 18,000 lb. rating (3,500 lb. vertical)
- No towing hardware in your bed when you don't need it. Easy on/off design
- No drilling into your truck frame
- Side-to-side pivot of 10 degrees



## **GOOD 2 GO<sup>™</sup>** **GOOSENECK SYSTEM**

### **Gooseneck Hitch**

- Ball plate with 2-5/16" ball spins in/out
- 30,000 lb. rating. (5,000 lb. vertical load)
- Requires only one 3" hole in truck bed

### **Gooseneck Adapter**

Automatic latching coupler attaches to any 2-5/16" gooseneck ball.

- Converts fifth wheel trailer to gooseneck
- Drop down style coupler allows full range of motion for easy hookup and disconnect
- 30,000 lbs. rating (7,500 lb. vertical load)
- 15" or 12" overall height



## **RAIL RIDER<sup>™</sup>** **COMPLETE SLIDER SYSTEM**

- Also available as gooseneck slider
- Allows 9" extra cab clearance
- 18,000 lbs. rating (3,500 lb. vertical load)



# TABLE OF CONTENTS

Introduction .....	3
GOOD 2 GO™ Adapter .....	5
Parts List .....	5
Guidelines for Matching Truck to Trailer .....	5
Installation .....	7
Installing the GOOD 2 GO™ Adapter .....	7
Operation .....	9
Loading Instructions .....	9
Unloading Instructions .....	9
Accessories .....	11
Warranty .....	13



**GOOD 2 GO™**  
**GOOSENECK ADAPTER**

**GOOD 2 GO™ GOOSENECK ADAPTER**  
the fifth wheel hitch converter that gives you your bed back.



LOCATE RECEIVER HITCHES BY MAKE/YEAR/MODEL

→ SELECT MAKE → SELECT A YEAR →  
→ SELECT MODEL →

FIND A DISTRIBUTOR:

→ SELECT CITY →

#### ABOUT US

- [WHO WE ARE](#)
- [VIDEO](#)

#### GUARANTEES

- [LIMITED LIFETIME](#)

#### TOWING INFO

- [HOW TO CHOOSE THE RIGHT HITCH](#)

#### TECH SUPPORT

- [FAQ](#)
- [CONTACT US](#)

LOCATE BY PART #:

→ SELECT PART # →

The most advanced towing solutions with the easiest installations.  
Brought to you by the pioneers in the industry.



#### FREE RIDE Fifth Wheel Hitch

The fifth wheel hitch that's there when you need it, not when you don't. The FREE RIDE can be removed completely and easily. Leaving your truck bed flat and clear.



#### GOOD 2 GO Gooseneck System

Colibert Enterprises has introduced a revolutionary system to get the most from your Fifth Wheel Trailer and your Pickup Truck! Our GOOD 2 GO Concealed Gooseneck Hitch spins in and out of your truck bed quickly and easily. While our automatic latching adapter attaches to any fifth wheel trailer. This is the best gooseneck system on the market.



#### RAIL RIDER

Introducing the world's most convenient short bed adjustable slider. Only Colibert's RAIL RIDER slider fits both fifth wheel and gooseneck trailers and leaves no rails behind.



#### RECEIVING HITCHES

Colibert's one-of-a-kind receiving hitches. Please use the hitch locator at the top of this page to find the right hitch for your vehicle.



# INTRODUCTION

We have been family owned and operated since 1976. Starting as a one-man custom fabrication shop, we developed into a nationally recognized company with cutting-edge design and technology in the towing industry. Colibert has single handedly changed the towing industry with new concepts that have given the consumer a variety of choices for their towing needs.

Colibert created the market for this new concept in towing and is proud of the fact that we continue to develop new ideas for towing.

All of our products are designed with the installer and consumer in mind, keeping things safe, simple and easy for all to use.

## Mission Statement:

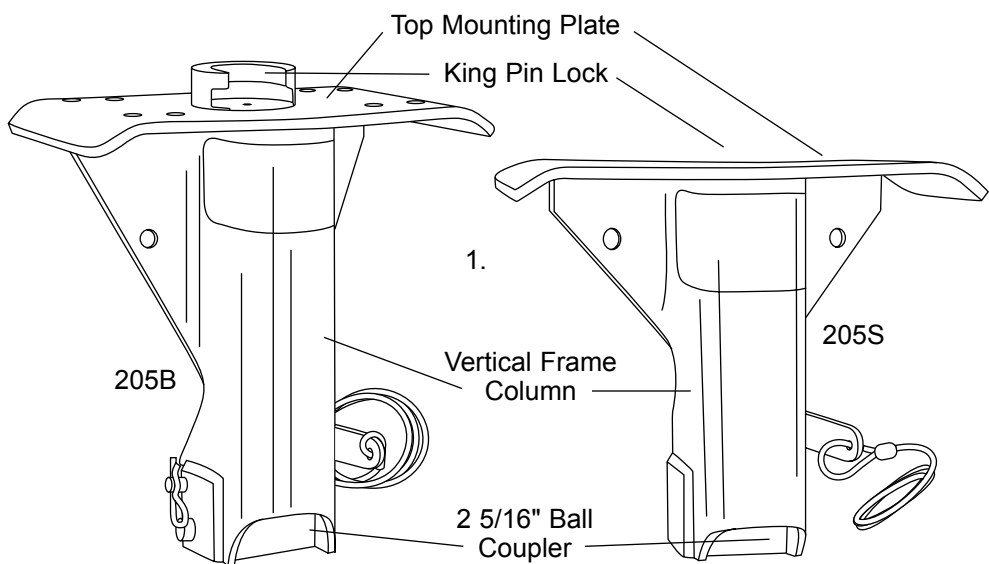
We provide quality products for the towing industry with integrity and excellent customer service to our customers and to the end user.

## Note to Dealer/Installer:

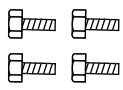
Provide this manual to the consumer. Demonstrate how to load and unload the hitch as well as placement and removal of the hitch.



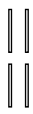
Call toll free or visit us online for the dealer nearest you.  
1-888-CE-HITCH • [www.colibert.com](http://www.colibert.com)



2.



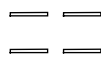
3.



4.



5.



6.



# GOOD 2 GO™ ADAPTER

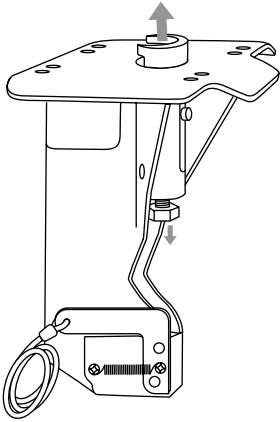
## Parts List:

1. GOOD 2 GO™ Adapter (1)  
(either the 205B or 205S)
2. Wrench (1)
3. 1/2" Grade 8 Bolt (4)
4. 1/2" Flat Washer (4)
5. 1/2" Nylock Nut (4)
6. Plastic Plugs (4)

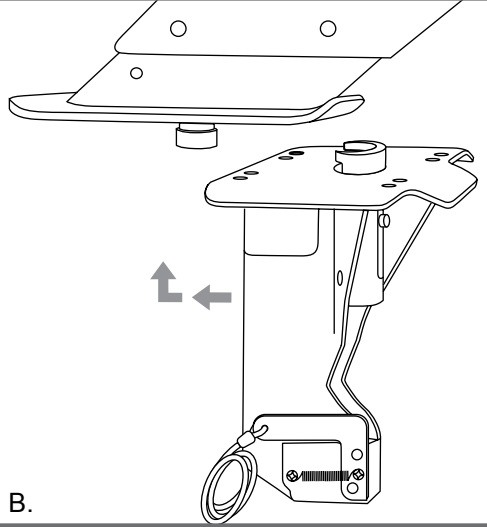
## Guidelines for Matching Truck to Trailer:

1. Trailer and all of its contents together must not exceed the truck, hitch and/or trailer tow rating.
2. Towing vehicle must have a manufacturer's rated towing capacity equal to or greater than the gross trailer weight.  
Gross Trailer Weight = Trailer + Cargo + Water in tanks.
3. Gross Trailer Weight must not exceed 30,000 lbs. (7,500 lb. vertical load)
4. Long bed trucks are recommended for towing fifth wheel trailers because they allow a greater turning radius. The addition of an extended king pin box may allow for a shorter turning radius.
5. The height of the hitch and king pin box needs to be adjusted so that the trailer tows close to level, allowing approximately 6" of clearance between the top of the truck bed and the overhang of the trailer.

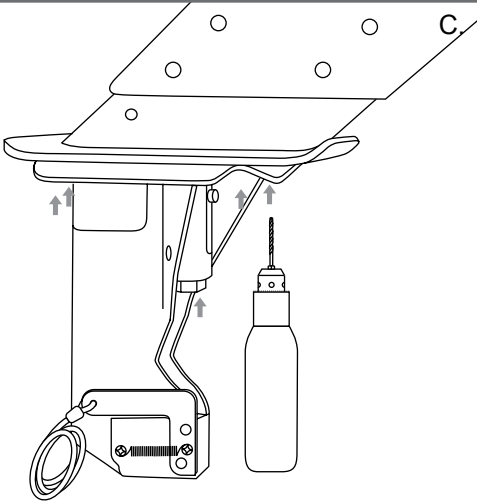
Get carried away with the convenience of having both a fifth wheel hauler and a truck again.



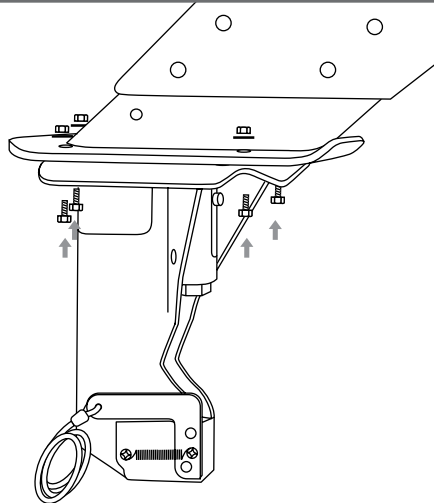
A.



B.



C.



D.





# INSTALLATION

## Installing the GOOD 2 GO™ Adapter:

Read instructions thoroughly before starting. 7,500 lb vertical load rated.

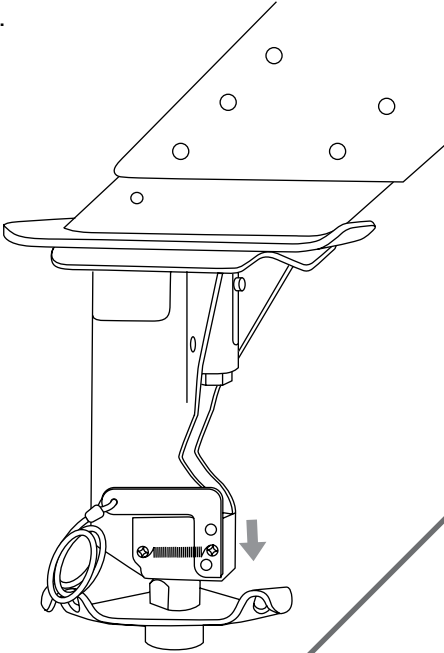
1. Locate 1" king pin lock draw bolt on rear of unit and remove. (Fig. A)
2. Pull upward on the king pin lock until the king pin lock has emerged fully out of the top mounting plate. (Fig. A) Please note that the spring over screw will cause the lock to shift under some tension.
3. Slide king pin lock over the trailer king pin. Lift upward on the body of the adapter unit until the king pin of the trailer is brought into the body of the adapter and the top mounting plate is tight up against the trailer king pin plate. Sticker will face forward. (Fig. B)
4. Spin 1" bolt into the king pin lock. (Fig. C)
5. Torque 1" bolt to 200 ft. lbs. using supplied wrench. **WARNING!! Failure to tighten bolt to 200 ft. lbs. may result in damage to trailer king pin or adapter unit.**
6. Locate 9/16" holes on underside of top mounting plate. Drill four holes using a 9/16" drill bit. (Fig. C)
7. Install one each 1/2" grade 8 bolt from bottom side of top mounting plate through to the inside of king pin box. Secure with flat washer and nylock nut on inside of king pin box. (Fig. D)  
NOTE: In the event access into the king pin box is not possible due to construction, drill 1 1/2" hole into side of the king pin box using caution not to cut holes into areas where interior gussets are welded. Once bolts are secure plug holes with supplied plastic plugs.
8. Torque nuts to 65 ft. lbs. **WARNING!! Failure to tighten nuts to 65 ft. lbs. may result in damage to king pin box and/or adapter unit.**
9. Install handle cable to lower deck of trailer so that it can be reached from the rear of the tow vehicle. This is a remote release for coupler when optional safety pin is not installed. NOTE: make sure gooseneck ball is greased before inserting into coupler.

**WARNING!! Do not install on king pin boxes 30" or longer!**

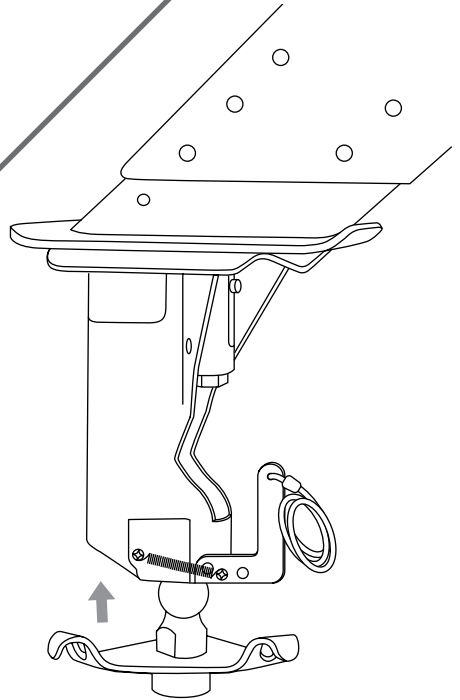
(Measure from center of kingpin to center of mounting bolts.)

NOTE: Use only hardware supplied with GOOD 2 GO™ Gooseneck Adapter. Use of any other hardware may cause adapter to fail.

A.



B.



# OPERATION

## Loading Instructions:

### **Handle position for coupling and towing only.**

Simply remove safety pin and clip, lower trailer onto ball. Coupler will unlatch and relatch automatically. Install safety pin and clip. (Fig. A)

NOTE: before each loading procedure, grease gooseneck ball.

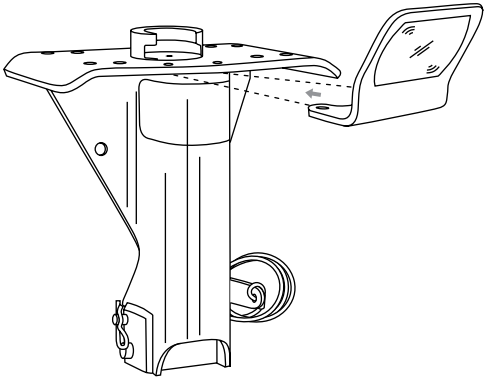
## Unloading Instructions:

### **Handle position for uncoupling only.**

Simply remove safety pin and clip. Rotate handle to this position and raise trailer off ball. Coupler will return to load position automatically. Install safety pin and clip. (Fig. B)

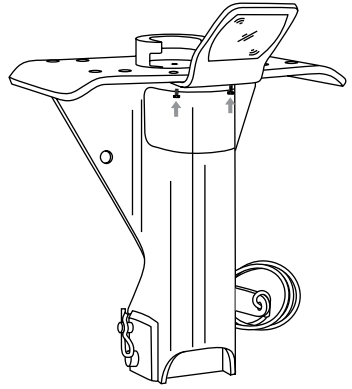
Our goal is to offer our clients the best product, the best value, the highest quality and the finest design in everything we manufacture!

A.



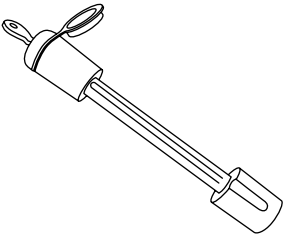
A.

B.

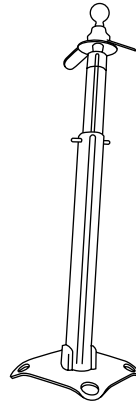


B.

C.



D.



# ACCESSORIES

## 20501 Mirror Bracket—Installation:

1. After installing GOOD 2 GO™ Gooseneck Adapter onto the trailer king pin box, locate 3/8" mounting holes on leading edge of top mounting plate on adapter. (Fig. A)
2. Place bracket on underside of top mounting plate and screw in 3/8" cap screws until finger tight. (Fig. B)
3. Torque screws to 30 ft. lbs. each.

## 20503 Safety Cable

Safety cable provides added safety and also may be a state requirement when towing a gooseneck trailer.

## DB-3045 Keyed Locking Pin

Keyed locking pin for the 205B. (Fig. C)

## 20504 Stabilizing Stand

Stabilizing stand for GOOD 2 GO™ Gooseneck Adapter. For use when your trailer is not attached to your truck to stabilize the front end. Adjust from 32" - 47" in height. (Fig. D)

---

## Colibert Enterprises' Limited Lifetime Warranty

This Warranty applies solely to those items manufactured by Colibert Enterprises (Receivers, Gooseneck Products, Ball Mounts, Hitches, Hitch Balls).

1. **Warranty and Warranty Period.** Colibert Enterprises warrants to the original Purchaser/Consumer of the products that Colibert Enterprises will provide, free of charge, the replacement of any products which are defective in material or workmanship (the "Warranty"). This Warranty applies only to the original Purchaser/Consumer of the products for as long as the original Purchaser/Consumer owns the vehicle on which the products were installed. Defective products returned to Colibert Enterprises become the property of Colibert Enterprises.

2. **Limitations on the Warranty.** The following limitations apply to the Warranty.

- a. The Warranty applies only to products which are defective in material or workmanship and does not cover normal wear and tear. The Warranty does not cover service or labor charges which are incurred in removing or replacing any products.
- b. The Warranty does not cover the finish placed on products by Colibert Enterprises. Accordingly, Colibert Enterprises will not replace, repair or re-finish any products if the finish of the product is worn in any manner.
- c. The Warranty does not extend to products which are damaged or which fail as a result of the products being abused, neglected, or misused in any manner, or as a result of any accident, or which are misapplied, overloaded, improperly installed, or altered in any manner by anyone other than Colibert Enterprises.

3. **Obligation of Purchaser/Consumer.** To obtain the benefits of the Warranty, the Purchaser/Consumer must complete the following steps. a) The Purchaser/Consumer must present the defective product(s) together with the proof of purchase to any of Colibert Enterprises' dealers, distributors, or its factory. b) The Purchaser/Consumer must pay all handling, transportation, and shipping charges incurred for the return of the defective product(s) to Colibert Enterprises and for the delivery of the replacement product(s) by Colibert Enterprises to the Purchaser/Consumer.



# WARRANTY

4. Obligations of Colibert Enterprises. Subject to the terms and limitations set forth in this document, Colibert Enterprises will provide replacement product(s) to the original Purchaser/Consumer free of charge.

5. Legal Rights and Limitation of Purchaser/Consumer. THIS WARRANTY GIVES YOU SPECIFIC LEGAL RIGHTS AND YOU MAY ALSO HAVE OTHER RIGHTS WHICH VARY FROM STATE TO STATE. ANY IMPLIED WARRANTY OF MERCHANTABILITY OR FITNESS FOR A PARTICULAR PURPOSE ON ANY COLIBERT ENTERPRISES PRODUCT SHALL BE LIMITED TO ONE (1) YEAR FROM THE DATE OF PURCHASE AT RETAIL TO THE ORIGINAL PURCHASER. SOME STATES DO NOT ALLOW LIMITATIONS ON HOW LONG AN IMPLIED WARRANTY LASTS, SO THE ABOVE LIMITATIONS MAY NOT APPLY TO YOU.

COLIBERT ENTERPRISES SHALL NOT BE LIABLE OR ASSUME RESPONSIBILITY FOR THE LOSS OF THE USE OF ANY VEHICLE, LOSS OF TIME, RENTAL OF VEHICLES, LOSS OR DAMAGE TO PERSONAL PROPERTY, EXPENSES SUCH AS GASOLINE, TELEPHONE, LODGING, OR TOWING, OR ANY OTHER INCIDENTAL OR CONSEQUENTIAL DAMAGES INCURRED AS A RESULT OF THE USE OR OWNERSHIP OF ANY PRODUCTS. SOME STATES DO NOT ALLOW THE EXCLUSION OF A LIMITATION OF INCIDENTAL OR CONSEQUENTIAL DAMAGES, SO THE EXCLUSION OR LIMITATION SET FORTH MAY NOT APPLY TO YOU. REPLACEMENT OF THE PRODUCT IN THE MANNER PROVIDED ABOVE SHALL CONSTITUTE FULFILLMENT OF ALL LIABILITIES OF COLIBERT ENTERPRISES TO THE PURCHASER/CONSUMER WHETHER BASED ON CONTRACT OR OTHERWISE.

COLIBERT ENTERPRISES RESERVES THE RIGHT TO MAKE CHANGES IN DESIGN OR TO MAKE ADDITIONS OR IMPROVEMENTS WITHOUT BEING OBLIGATED TO INSTALL THE SAME UPON PRODUCTS COVERED BY THIS WARRANTY. THIS WARRANTY VALID ONLY IN THE UNITED STATES AND CANADA.

**We are proud of our reputation for high quality products and excellent customer service.**



Call toll free or visit us online  
for the dealer nearest you.  
1-888-CE-HITCH [www.colibert.com](http://www.colibert.com)